

42V, 6A Synchronous Step-Down Regulator with Current Sense and 3µA Quiescent Current

FEATURES

- Rail-to-Rail Current Sense Amplifier with Monitor
- Wide Input Voltage Range: 3.4V to 42V
- Ultralow Quiescent Current Burst Mode® Operation:
 - 3µA I_Q Regulating 12V_{IN} to 3.3V_{OUT}
 - Output Ripple < 10mV_{P-P}
- High Efficiency Synchronous Operation:
 - 95% Efficiency at 3A, 5V_{OUT} from 12V_{IN}
 - 94% Efficiency at 3A, 3.3V_{OUT} from 12V_{IN}
- Fast Minimum Switch-On Time: 40ns
- Low Dropout Under All Conditions: 250mV at 3A
- Allows Use of Small Inductors
- Low EMI
- Adjustable and Synchronizable: 200kHz to 2.2MHz
- Current Mode Operation
- Accurate 1V Enable Pin Threshold
- Internal Compensation
- Output Soft-Start and Tracking
- Small Thermally Enhanced 3mm × 6mm 28-Lead QFN Package

APPLICATIONS

- Automotive and Industrial Supplies
- General Purpose Step-Down
- CCCV Power Supplies

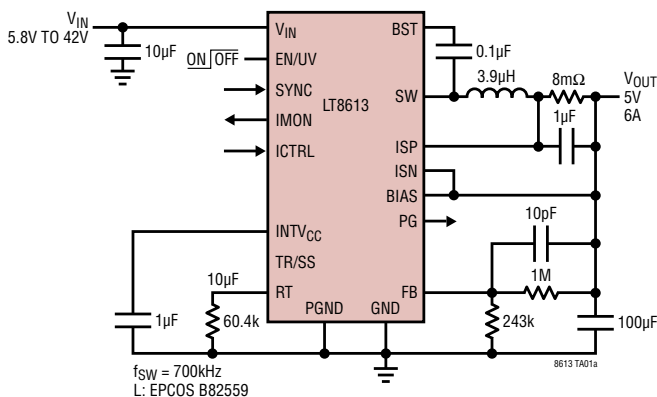
DESCRIPTION

The **LT®8613** is a compact, high efficiency, high speed synchronous monolithic step-down switching regulator that consumes only 3µA of quiescent current. Top and bottom power switches are included with all necessary circuitry to minimize the need for external components. The built-in current sense amplifier with monitor and control pins allows accurate input or output current regulation and limiting. Low ripple Burst Mode operation enables high efficiency down to very low output currents while keeping the output ripple below 10mV_{P-P}. A SYNC pin allows synchronization to an external clock. Internal compensation with peak current mode topology allows the use of small inductors and results in fast transient response and good loop stability. The EN/UV pin has an accurate 1V threshold and can be used to program V_{IN} undervoltage lockout or to shut down the LT8613 reducing the input supply current to 1µA. A capacitor on the TR/SS pin programs the output voltage ramp rate during start-up. The PG flag signals when V_{OUT} is within ±9% of the programmed output voltage as well as fault conditions. The LT8613 is available in a small 28-lead 3mm × 6mm QFN package with exposed pad for low thermal resistance.

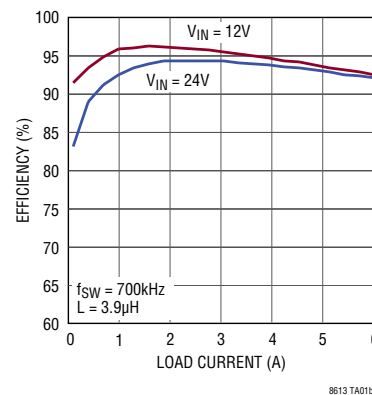
All registered trademarks and trademarks are the property of their respective owners.

TYPICAL APPLICATION

5V Step-Down Converter with 6A Output Current Limit



Efficiency at 5V_{OUT}



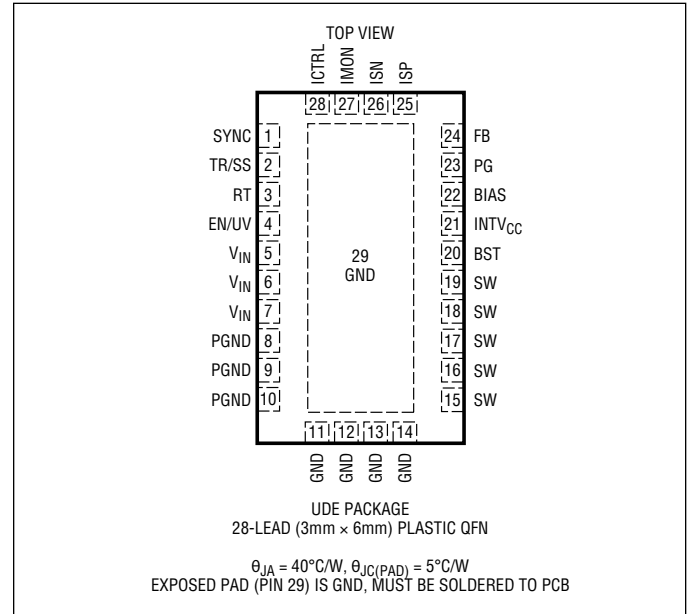
LT8613

ABSOLUTE MAXIMUM RATINGS

(Note 1)

V_{IN} , EN/UV, PG, ISP, ISN	42V
BIAS	25V
BST Pin Above SW Pin	4V
FB, TR/SS, RT, INTV _{CC} , IMON, ICTRL	4V
SYNC Voltage	6V
Operating Junction Temperature Range (Note 2)	
LT8613E	-40°C to 125°C
LT8613I	-40°C to 125°C
Storage Temperature Range	-65°C to 150°C

PIN CONFIGURATION



ORDER INFORMATION

LEAD FREE FINISH	TAPE AND REEL	PART MARKING*	PACKAGE DESCRIPTION	TEMPERATURE RANGE
LT8613EUDE#PBF	LT8613EUDE#TRPBF	LGHX	28-Lead (3mm × 6mm) Plastic QFN	-40°C to 125°C
LT8613IUDE#PBF	LT8613IUDE#TRPBF	LGHX	28-Lead (3mm × 6mm) Plastic QFN	-40°C to 125°C

Contact the factory for parts specified with wider operating temperature ranges. *The temperature grade is identified by a label on the shipping container.

[Tape and reel specifications](#). Some packages are available in 500 unit reels through designated sales channels with #TRMPBF suffix.

ELECTRICAL CHARACTERISTICS

The ● denotes the specifications which apply over the full operating temperature range, otherwise specifications are at $T_A = 25^{\circ}\text{C}$.

PARAMETER	CONDITIONS	MIN	TYP	MAX	UNITS
Minimum Input Voltage	●		2.9	3.4	V
V_{IN} Quiescent Current	$V_{EN/UV} = 0V$, $V_{SYNC} = 0V$	●	1.0	5	μA
	$V_{EN/UV} = 2V$, Not Switching, $V_{SYNC} = 0V$	●	1.0	20	μA
	$V_{EN/UV} = 2V$, Not Switching, $V_{SYNC} = 2V$	●	1.7	6	μA
V_{IN} Current in Regulation	$V_{OUT} = 0.97V$, $V_{IN} = 6V$, Output Load = 100 μA	●	24	60	μA
	$V_{OUT} = 0.97V$, $V_{IN} = 6V$, Output Load = 1mA	●	230	370	μA
Feedback Reference Voltage	$V_{IN} = 12V$, $I_{LOAD} = 500\text{mA}$	●	0.964	0.970	V
	$V_{IN} = 12V$, $I_{LOAD} = 500\text{mA}$	●	0.958	0.970	V
Feedback Voltage Line Regulation	$V_{IN} = 4.0V$ to 25V, $I_{LOAD} = 0.5A$	●	0.004	0.025	%/V
Feedback Pin Input Current	$V_{FB} = 1V$		-20	20	nA
BIAS Pin Current Consumption	$V_{BIAS} = 3.3V$, $I_{LOAD} = 2A$, 2MHz		14		mA

Rev. A

ELECTRICAL CHARACTERISTICS The ● denotes the specifications which apply over the full operating temperature range, otherwise specifications are at $T_A = 25^\circ\text{C}$.

PARAMETER	CONDITIONS		MIN	TYP	MAX	UNITS
Minimum On-Time	$I_{LOAD} = 2\text{A}, \text{SYNC} = 0\text{V}$	●	20	40	60	ns
	$I_{LOAD} = 2\text{A}, \text{SYNC} = 3.3\text{V}$	●	20	35	55	ns
Minimum Off-Time			50	85	120	ns
Oscillator Frequency	$R_T = 221\text{k}, I_{LOAD} = 1.5\text{A}$	●	180	210	240	kHz
	$R_T = 60.4\text{k}, I_{LOAD} = 1.5\text{A}$	●	665	700	735	kHz
	$R_T = 18.2\text{k}, I_{LOAD} = 1.5\text{A}$	●	1.85	2.00	2.15	MHz
Top Power NMOS On-Resistance	$I_{SW} = 1\text{A}$			65		mΩ
Top Power NMOS Current Limit		●	7.5	9.7	12.0	A
Bottom Power NMOS On-Resistance	$V_{INTVCC} = 3.4\text{V}, I_{SW} = 1\text{A}$			29		mΩ
Valley Current Limit	$V_{INTVCC} = 3.4\text{V}$	●	6	10	12	A
SW Leakage Current	$V_{IN} = 42\text{V}, V_{SW} = 0\text{V}, 42\text{V}$		-10	0.1	10	μA
EN/UV Pin Threshold	EN/UV Rising	●	0.94	1.0	1.06	V
EN/UV Pin Hysteresis				40		mV
EN/UV Pin Current	$V_{EN/UV} = 2\text{V}$		-20	1	20	nA
PG Upper Threshold Offset from V_{FB}	V_{FB} Falling	●	6.5	9.0	11.5	%
PG Lower Threshold Offset from V_{FB}	V_{FB} Rising	●	-6.5	-9.0	-11.5	%
PG Hysteresis				1.3		%
PG Leakage	$V_{PG} = 3.3\text{V}$		-40		40	nA
PG Pull-Down Resistance	$V_{PG} = 0.1\text{V}$	●		680	2000	Ω
SYNC Threshold	SYNC Falling		0.7	1.0	1.4	V
	SYNC Rising		1.0	1.3	1.55	V
SYNC Pin Current	$V_{SYNC} = 2\text{V}$		-100		100	nA
TR/SS Source Current		●	1.4	2.1	2.7	μA
TR/SS Pull-Down Resistance	Fault Condition, $\text{TR/SS} = 0.1\text{V}$			230		Ω
Current Sense Voltage ($V_{ISP-ISN}$)	$V_{ICTRL} = 1.5\text{V}, V_{ISN} = 3.3\text{V}$	●	48	50	52	mV
	$V_{ICTRL} = 1.5\text{V}, V_{ISN} = 0\text{V}$	●	46	50.5	56	mV
	$V_{ICTRL} = 800\text{mV}, V_{ISN} = 3.3\text{V}$	●	38	41	46	mV
	$V_{ICTRL} = 800\text{mV}, V_{ISN} = 0\text{V}$	●	37	42	47	mV
	$V_{ICTRL} = 200\text{mV}, V_{ISN} = 3.3\text{V}$	●	5	10	15	mV
	$V_{ICTRL} = 200\text{mV}, V_{ISN} = 0\text{V}$	●	4	10.5	17	mV
IMON Monitor Pin Voltage	$V_{ISP-ISN} = 50\text{mV}, V_{ISN} = 3.3\text{V}$	●	0.960	1.00	1.040	V
	$V_{ISP-ISN} = 50\text{mV}, V_{ISN} = 0\text{V}$	●	0.890	0.99	1.09	V
	$V_{ISP-ISN} = 10\text{mV}, V_{ISN} = 3.3\text{V}$	●	130	220	320	mV
	$V_{ISP-ISN} = 10\text{mV}, V_{ISN} = 0\text{V}$	●	110	205	300	mV
ISP, ISN Pin Bias Current		●	-20		20	μA

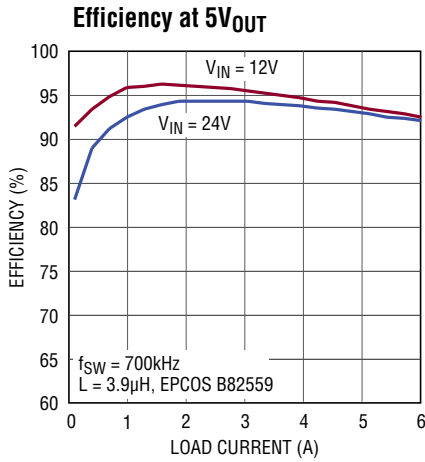
Note 1: Stresses beyond those listed under Absolute Maximum Ratings may cause permanent damage to the device. Exposure to any Absolute Maximum Rating condition for extended periods may affect device reliability and lifetime.

Note 2: The LT8613E is guaranteed to meet performance specifications from 0°C to 125°C junction temperature. Specifications over the -40°C to 125°C operating junction temperature range are assured by design, characterization, and correlation with statistical process controls. The LT8613I is guaranteed over the full -40°C to 125°C operating junction

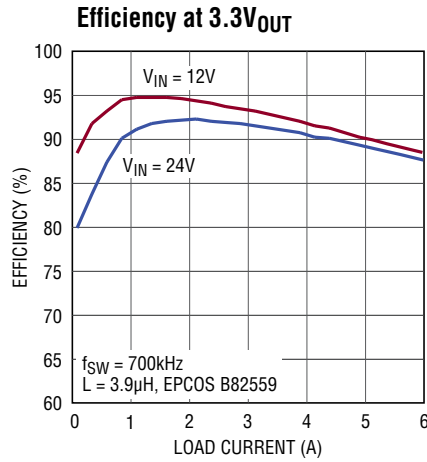
temperature range. High junction temperatures degrade operating lifetimes. Operating lifetime is derated at junction temperatures greater than 125°C .

Note 3: This IC includes overtemperature protection that is intended to protect the device during overload conditions. Junction temperature will exceed 150°C when overtemperature protection is active. Continuous operation above the specified maximum operating junction temperature will reduce lifetime.

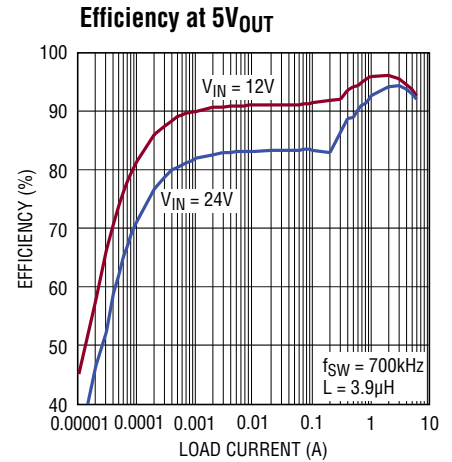
TYPICAL PERFORMANCE CHARACTERISTICS



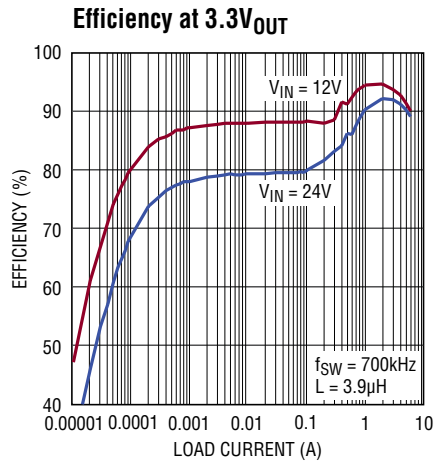
8613 G01



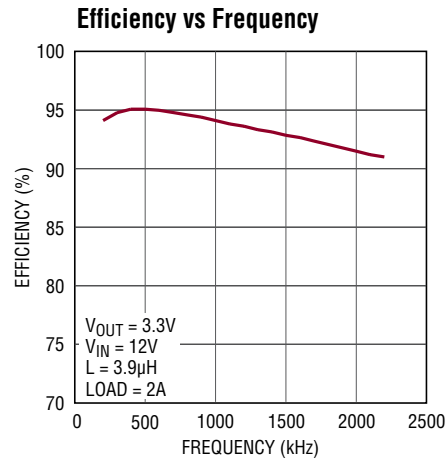
8613 G02



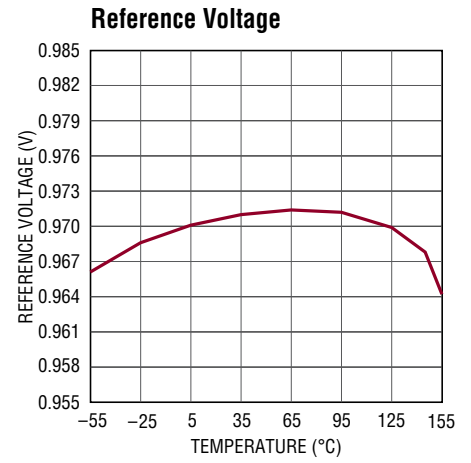
8613 G03



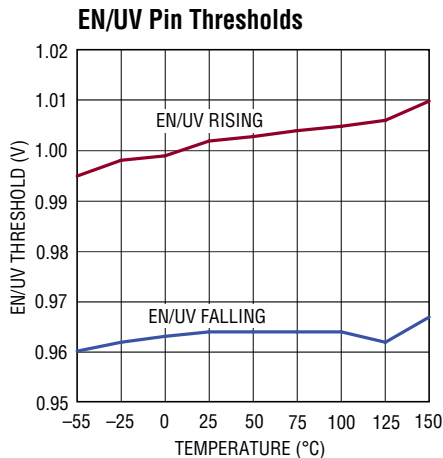
8613 G04



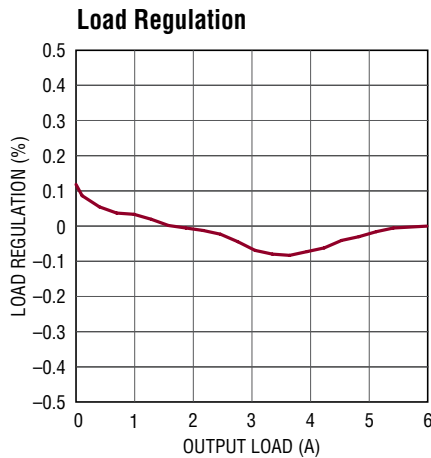
8613 G05



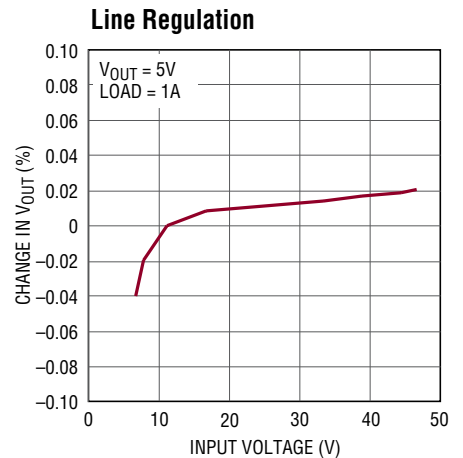
8613 G06



8613 G07



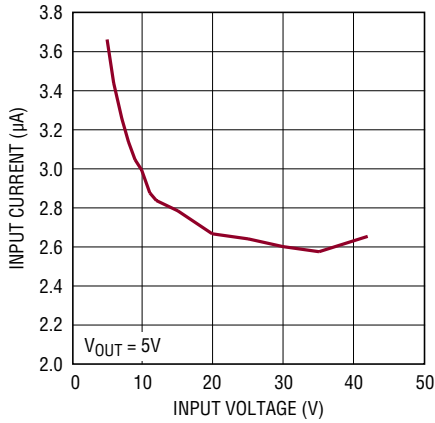
8613 G08



8613 G09

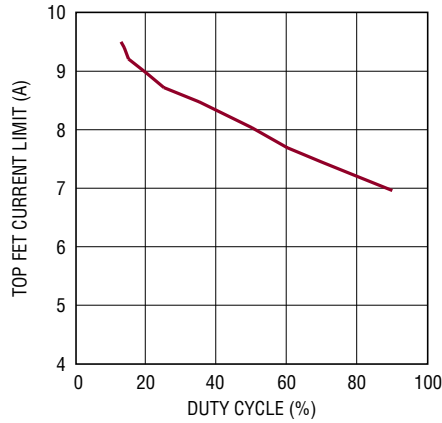
TYPICAL PERFORMANCE CHARACTERISTICS

No Load Supply Current



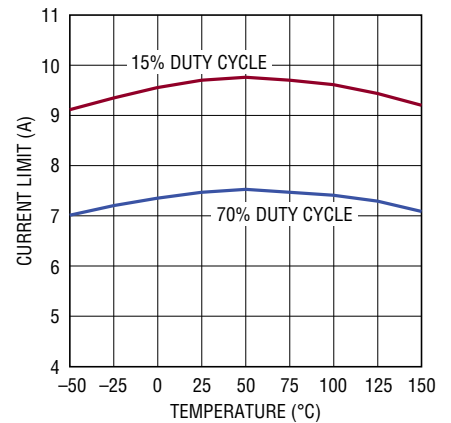
8613 G10

Top FET Current Limit vs Duty Cycle



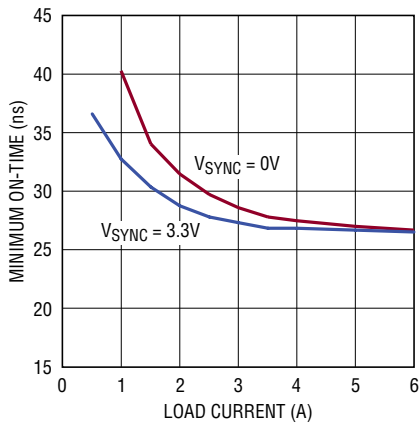
8613 G11

Top FET Current Limit



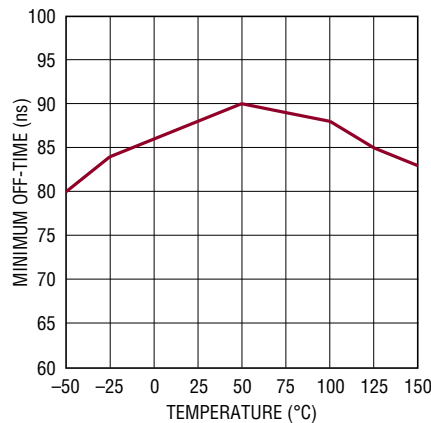
8613 G12

Minimum On-Time



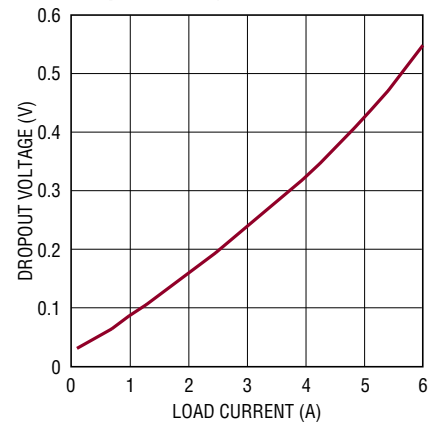
8613 G13

Minimum Off-Time



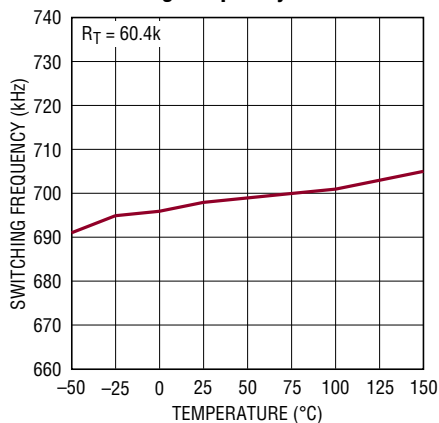
8613 G14

Dropout Voltage



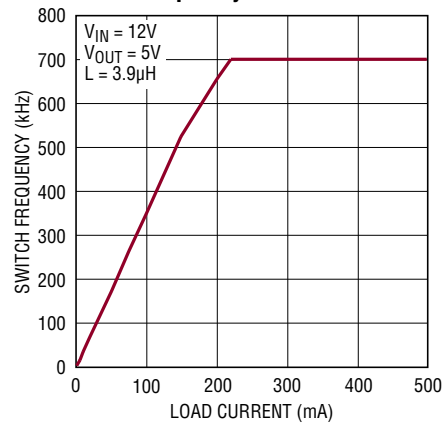
8613 G15

Switching Frequency



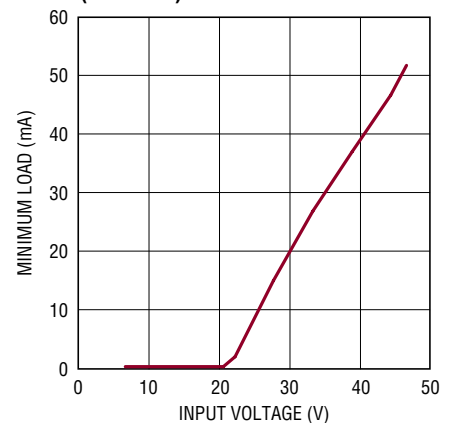
8613 G16

Burst Frequency



8613 G17

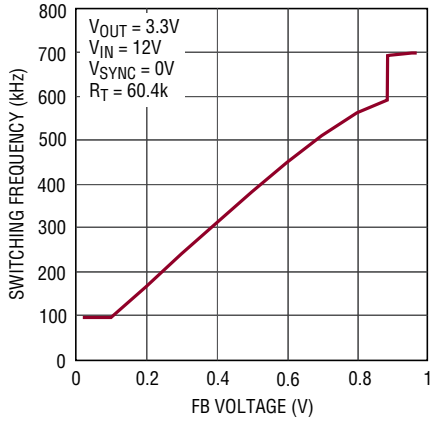
Minimum Load to Full Frequency (SYNC Hi)



8613 G18

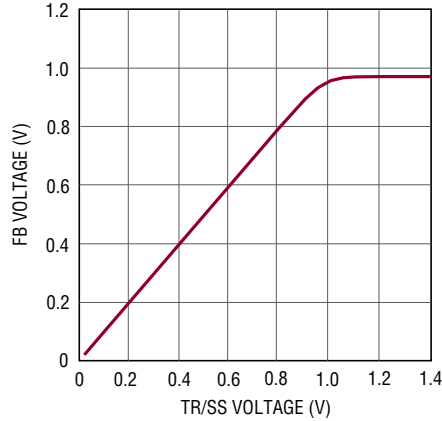
TYPICAL PERFORMANCE CHARACTERISTICS

Frequency Foldback



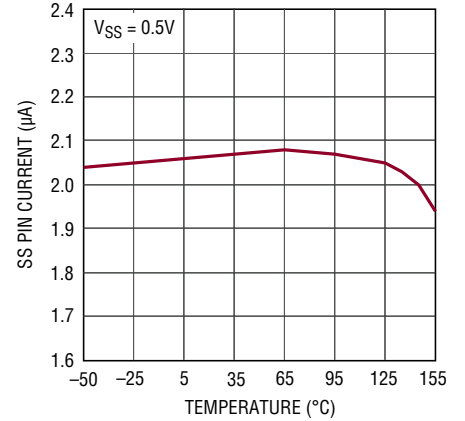
8613 G19

Soft-Start Tracking



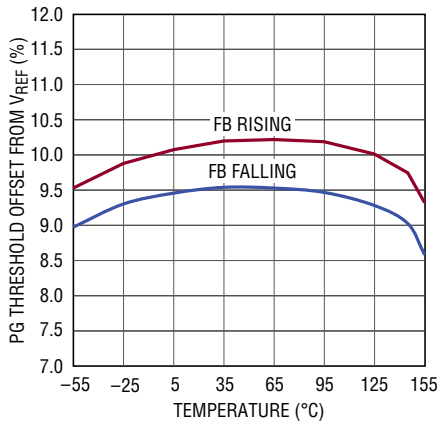
8613 G20

Soft-Start Current



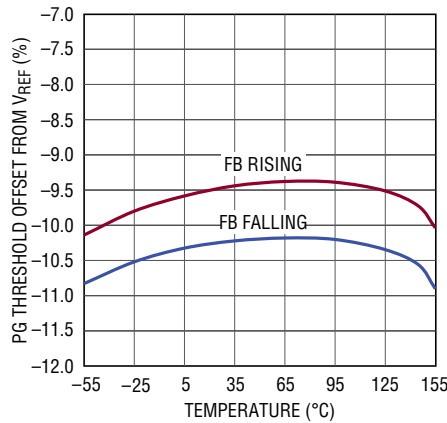
8613 G21

PG High Thresholds



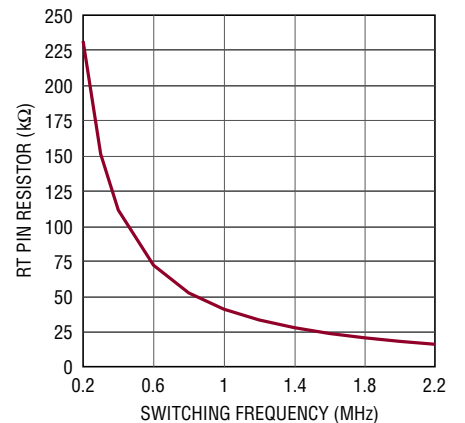
8613 G22

PG Low Thresholds



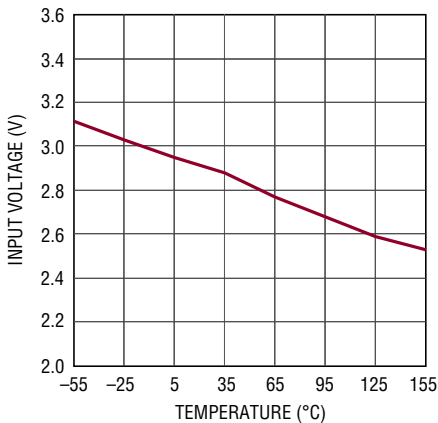
8613 G23

RT Programmed Switching Frequency



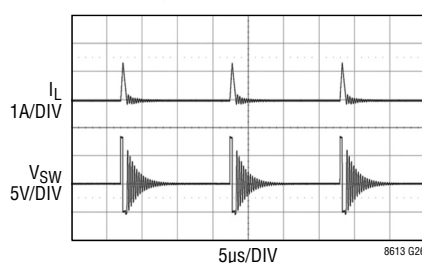
8613 G24

V_{IN} UVLO



8613 G25

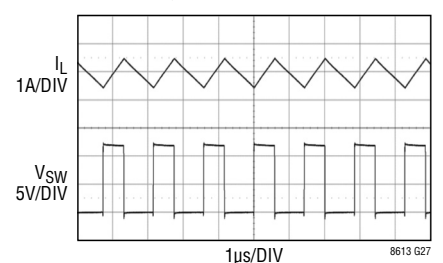
Switching Waveforms



8613 G26

12V_{IN} TO 5V_{OUT} AT 20mA; FRONT PAGE APP
 $V_{SYNC} = 0V$

Switching Waveforms

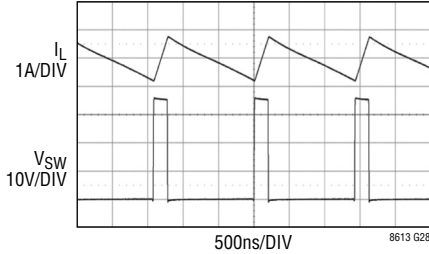


8613 G27

12V_{IN} TO 5V_{OUT} AT 2A
 FRONT PAGE APP

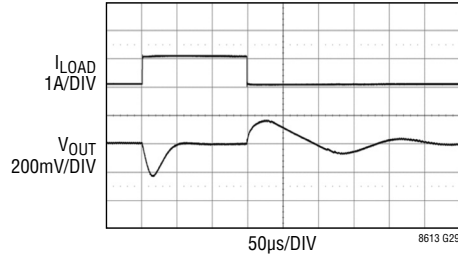
TYPICAL PERFORMANCE CHARACTERISTICS

Switching Waveforms



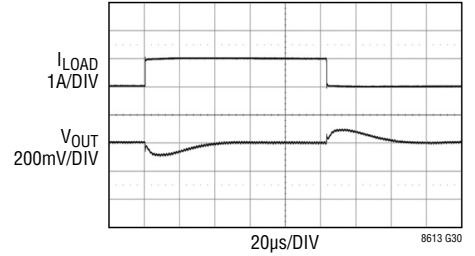
36V_{IN} TO 5V_{OUT} AT 2A
FRONT PAGE APP

Transient Response



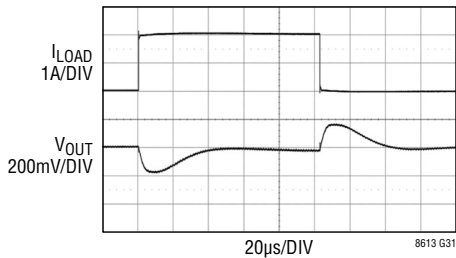
0.1A TO 1.1A TRANSIENT
12V_{IN} TO 5V_{OUT}
C_{OUT} = 2×47µF
FRONT PAGE APP

Transient Response



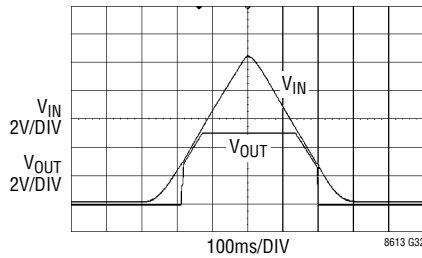
1A TO 2A TRANSIENT
12V_{IN} TO 5V_{OUT}
C_{OUT} = 2×47µF
FRONT PAGE APP

Transient Response



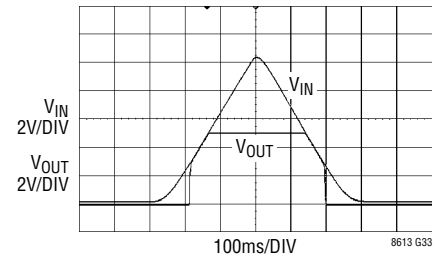
1A TO 3A TRANSIENT
12V_{IN} TO 5V_{OUT}
C_{OUT} = 2×47µF
FRONT PAGE APP

Start-Up Dropout Performance



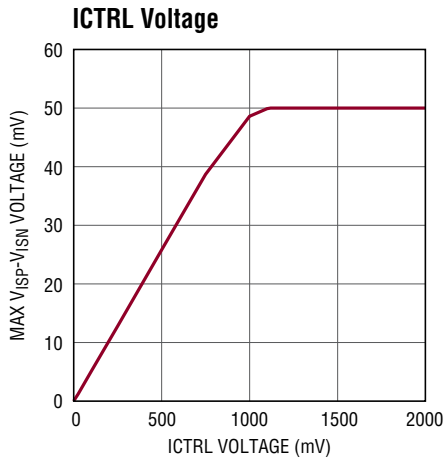
2.5Ω LOAD
(2A IN REGULATION)

Start-Up Dropout Performance

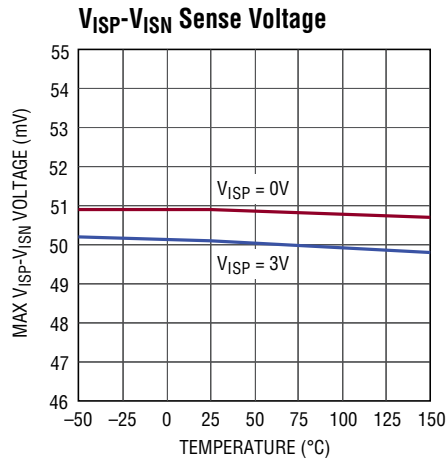


20Ω LOAD
(250mA IN REGULATION)

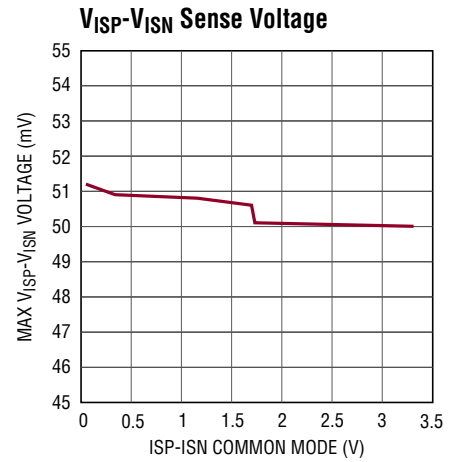
TYPICAL PERFORMANCE CHARACTERISTICS



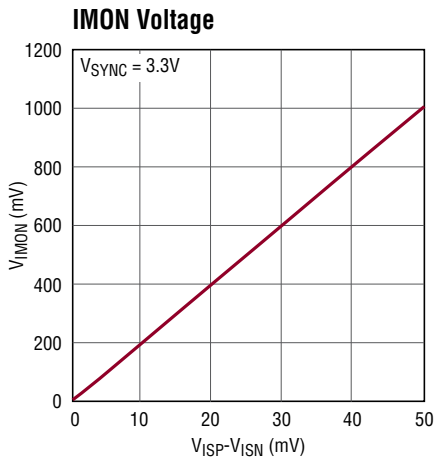
8613 G40



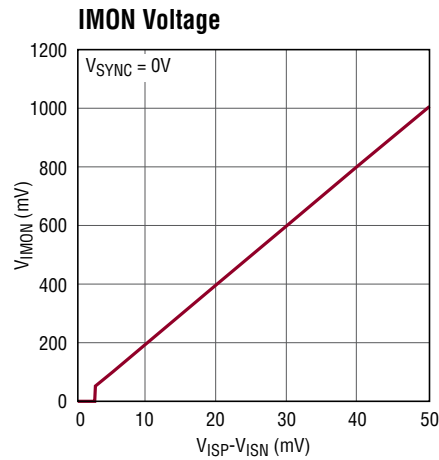
8613 G41



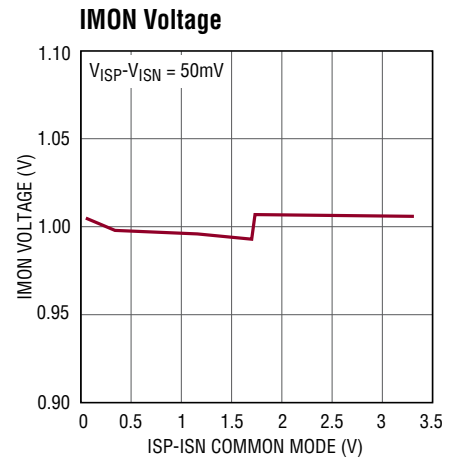
8613 G42



8613 G43



8613 G44



8613 G45

PIN FUNCTIONS

SYNC (Pin 1): External Clock Synchronization Input. Ground this pin for low ripple Burst Mode operation at low output loads. Tie to a clock source for synchronization to an external frequency. Apply a DC voltage of 3V or higher or tie to $INTV_{CC}$ for pulse-skipping mode. When in pulse-skipping mode, the I_Q will increase to several hundred μA . When SYNC is DC high or synchronized, frequency foldback will be disabled. Do not float this pin.

TR/SS (Pin 2): Output Tracking and Soft-Start Pin. This pin allows user control of output voltage ramp rate during start-up. A TR/SS voltage below 0.97V forces the LT8613 to regulate the FB pin to equal the TR/SS pin voltage. When TR/SS is above 0.97V, the tracking function is disabled and the internal reference resumes control of the error amplifier. An internal 2.2 μA pull-up current from $INTV_{CC}$ on this pin allows a capacitor to program output voltage slew rate. This pin is pulled to ground with an internal 230 Ω MOSFET during shutdown and fault conditions; use a series resistor if driving from a low impedance output. This pin may be left floating if the tracking function is not needed.

RT (Pin 3): A resistor is tied between RT and ground to set the switching frequency.

EN/UV (Pin 4): The LT8613 is shut down when this pin is low and active when this pin is high. The hysteretic threshold voltage is 1.00V going up and 0.96V going down. Tie to V_{IN} if the shutdown feature is not used. An external resistor divider from V_{IN} can be used to program a V_{IN} threshold below which the LT8613 will shut down.

V_{IN} (Pins 5, 6, 7): The V_{IN} pins supply current to the LT8613 internal circuitry and to the internal topside power switch. These pins must be tied together and be locally bypassed. Be sure to place the positive terminal of the input capacitor as close as possible to the V_{IN} pins, and the negative capacitor terminal as close as possible to the PGND pins.

PGND (Pins 8, 9, 10): Power Switch Ground. These pins are the return path of the internal bottom-side power switch and must be tied together. Place the negative terminal of the input capacitor as close to the PGND pins as possible.

GND (Pins 11, 12, 13, 14): It is recommended that these be connected to GND so that the exposed pad GND can be run to the top level GND copper to enhance thermal performance.

SW (Pins 15–19): The SW pins are the outputs of the internal power switches. Tie these pins together and connect them to the inductor and boost capacitor. This node should be kept small on the PCB for good performance.

BST (Pin 20): This pin is used to provide a drive voltage, higher than the input voltage, to the topside power switch. Place a 0.1 μF boost capacitor as close as possible to the IC.

$INTV_{CC}$ (Pin 21): Internal 3.4V Regulator Bypass Pin. The internal power drivers and control circuits are powered from this voltage. $INTV_{CC}$ maximum output current is 20mA. Do not load the $INTV_{CC}$ pin with external circuitry. $INTV_{CC}$ current will be supplied from BIAS if $V_{BIAS} > 3.1V$, otherwise current will be drawn from V_{IN} . Voltage on $INTV_{CC}$ will vary between 2.8V and 3.4V when V_{BIAS} is between 3.0V and 3.6V. Decouple this pin to power ground with at least a 1 μF low ESR ceramic capacitor placed close to the IC.

BIAS (Pin 22): The internal regulator will draw current from BIAS instead of V_{IN} when BIAS is tied to a voltage higher than 3.1V. For output voltages of 3.3V and above this pin should be tied to V_{OUT} . If this pin is tied to a supply other than V_{OUT} use a 1 μF local bypass capacitor on this pin.

PG (Pin 23): The PG pin is the open-drain output of an internal comparator. PG remains low until the FB pin is within $\pm 9\%$ of the final regulation voltage, and there are no fault conditions. PG is valid when V_{IN} is above 3.4V, regardless of EN/UV pin state.

FB (Pin 24): The LT8613 regulates the FB pin to 0.970V. Connect the feedback resistor divider tap to this pin. Also, connect a phase lead capacitor between FB and V_{OUT} . Typically, this capacitor is 4.7pF to 10pF.

PIN FUNCTIONS

ISP (Pin 25): Current Sense (+) Pin. This is the noninverting input to the current sense amplifier.

ISN (Pin 26): Current Sense (-) Pin. This is the inverting input to the current sense amplifier.

IMON (Pin 27): Proportional-to-Current Monitor Output. This pin sources a voltage 20 times the voltage between the ISP and ISN pins such that:

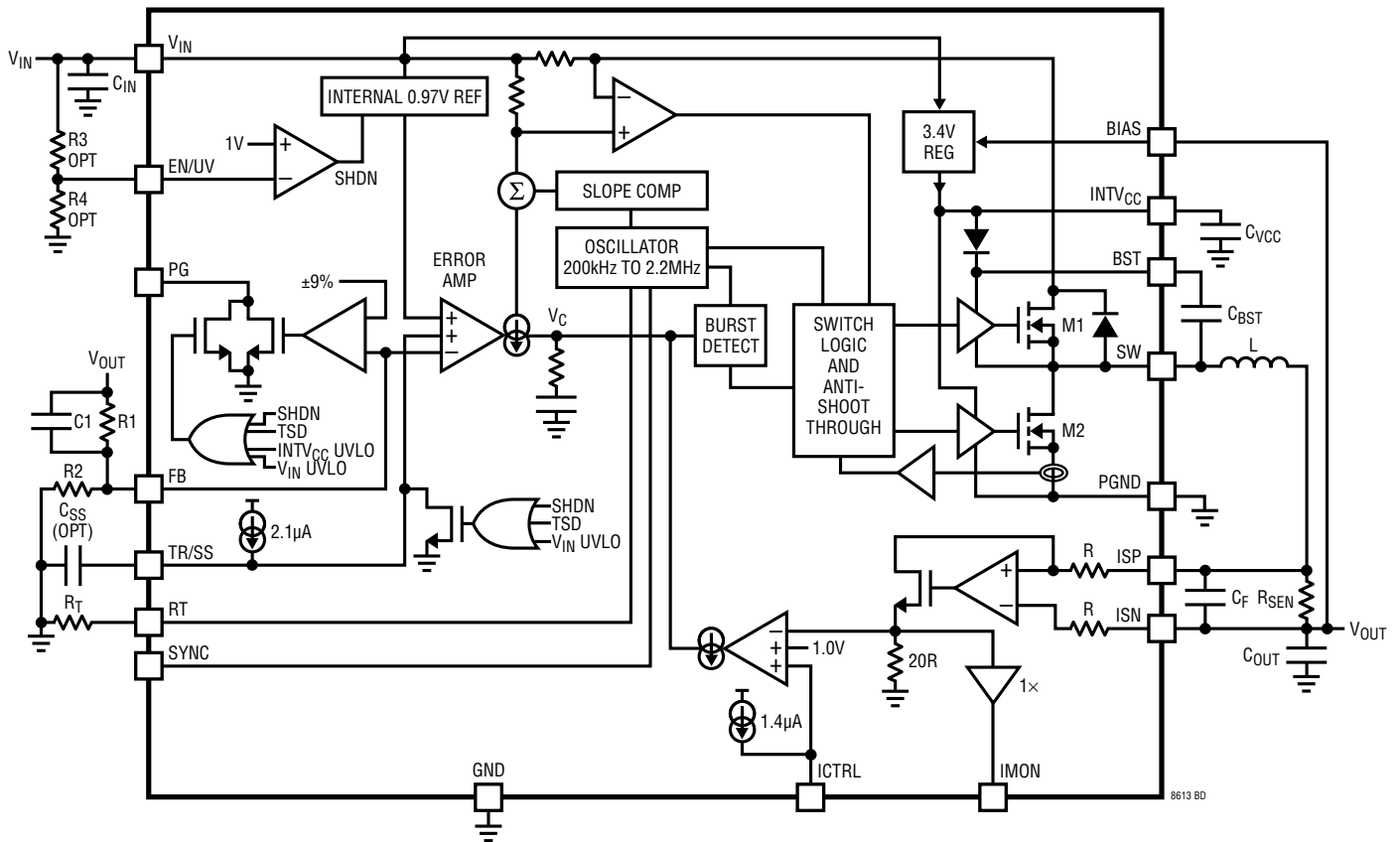
$$V_{IMON} = 20 \cdot (V_{ISP} - V_{ISN}).$$

IMON can source 200 μ A and sink 10 μ A. Float IMON if unused.

ICTRL (Pin 28): Current Adjustment Pin. ICTRL adjusts the maximum ISP-ISN drop before the LT8613 reduces output current. Connect directly to INTV_{CC} or float for full-scale ISP-ISN threshold of 50mV or apply values between GND and 1V to modulate current limit. There is an internal 1.4 μ A pull-up current on this pin. Float or tie to INTV_{CC} when unused.

GND (Exposed Pad Pin 29): Ground. The exposed pad must be connected to the negative terminal of the input capacitor and soldered to the PCB in order to lower the thermal resistance.

BLOCK DIAGRAM



OPERATION

The LT8613 is a monolithic, constant frequency, current mode step-down DC/DC converter. An oscillator, with frequency set using a resistor on the RT pin, turns on the internal top power switch at the beginning of each clock cycle. Current in the inductor then increases until the top switch current comparator trips and turns off the top power switch. The peak inductor current at which the top switch turns off is controlled by the voltage on the internal VC node. The error amplifier servos the VC node by comparing the voltage on the V_{FB} pin with an internal 0.97V reference. When the load current increases it causes a reduction in the feedback voltage relative to the reference leading the error amplifier to raise the VC voltage until the average inductor current matches the new load current. When the top power switch turns off, the synchronous power switch turns on until the next clock cycle begins or inductor current falls to zero. If overload conditions result in more than 10A flowing through the bottom switch (valley current), the next clock cycle will be delayed until switch current returns to a safe level.

The LT8613 includes a current control and monitoring loop using the ISN, ISP, IMON and ICTRL pins. The ISP/ISN pins monitor the voltage across an external sense resistor such that the $V_{ISP}-V_{ISN}$ does not exceed 50mV by limiting the peak inductor current controlled by the VC node. The current sense amplifier inputs (ISP/ISN) are rail-to-rail such that input, output, or other system currents may be monitored and regulated. The IMON pin outputs a ground-referenced voltage equal to 20 times the voltage between the ISP-ISN pins for monitoring system currents. The ICTRL pin can be used to override the internal 50mV limit between the ISP, ISN pin to a lower set point for the current control loop.

If the EN/UV pin is low, the LT8613 is shut down and draws 1 μ A from the input. When the EN/UV pin is above 1V, the switching regulator will become active.

To optimize efficiency at light loads, the LT8613 operates in Burst Mode operation in light load situations. Between bursts, all circuitry associated with controlling the output switch is shut down, reducing the input supply current to 1.7 μ A. In a typical application, 3 μ A will be consumed from the input supply when regulating with no load. The SYNC pin is tied low to use Burst Mode operation and can be tied to a logic high to use pulse-skipping mode. If a clock is applied to the SYNC pin the part will synchronize to an external clock frequency and operate in pulse-skipping mode. While in pulse-skipping mode the oscillator operates continuously and positive SW transitions are aligned to the clock. During light loads, switch pulses are skipped to regulate the output and the quiescent current will be several hundred μ A.

To improve efficiency across all loads, supply current to internal circuitry can be sourced from the BIAS pin when biased at 3.3V or above. Else, the internal circuitry will draw current from V_{IN} . The BIAS pin should be connected to V_{OUT} if the LT8613 output is programmed at 3.3V or above.

Comparators monitoring the FB pin voltage will pull the PG pin low if the output voltage varies more than $\pm 9\%$ (typical) from the set point, or if a fault condition is present.

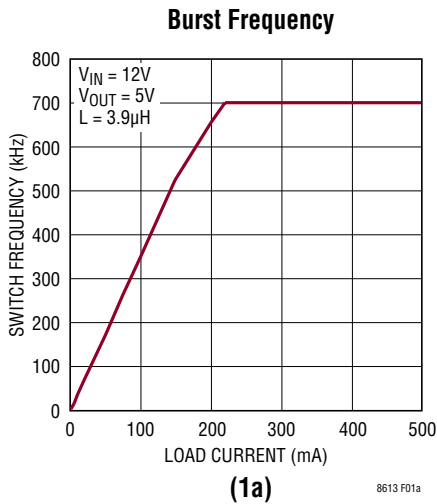
The oscillator reduces the LT8613's operating frequency when the voltage at the FB pin is low. This frequency foldback helps to control the inductor current when the output voltage is lower than the programmed value which occurs during start-up or overcurrent conditions. When a clock is applied to the SYNC pin or the SYNC pin is held DC high, the frequency foldback is disabled and the switching frequency will slow down only during overcurrent conditions.

APPLICATIONS INFORMATION

Achieving Ultralow Quiescent Current

To enhance efficiency at light loads, the LT8613 operates in low ripple Burst Mode operation, which keeps the output capacitor charged to the desired output voltage while minimizing the input quiescent current and minimizing output voltage ripple. In Burst Mode operation the LT8613 delivers single small pulses of current to the output capacitor followed by sleep periods where the output power is supplied by the output capacitor. While in sleep mode the LT8613 consumes 1.7 μ A.

As the output load decreases, the frequency of single current pulses decreases (see Figure 1a) and the percentage of time the LT8613 is in sleep mode increases, resulting in



Minimum Load to Full Frequency (SYNC DC High)

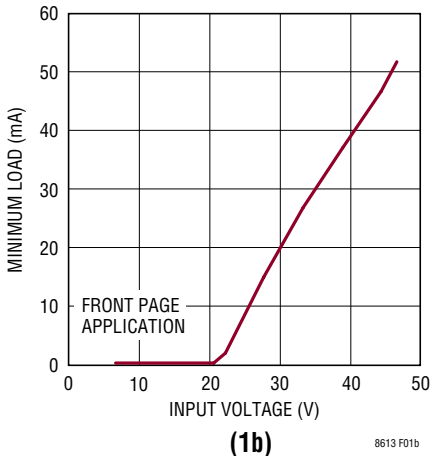


Figure 1. SW Frequency vs Load Information in Burst Mode Operation (1a) and Pulse-Skipping Mode (1b)

much higher light load efficiency than for typical converters. By maximizing the time between pulses, the converter quiescent current approaches 2.5 μ A for a typical application when there is no output load. Therefore, to optimize the quiescent current performance at light loads, the current in the feedback resistor divider must be minimized as it appears to the output as load current.

While in Burst Mode operation the current limit of the top switch is approximately 1A resulting in output voltage ripple shown in Figure 2. Increasing the output capacitance will decrease the output ripple proportionally. As load ramps upward from zero the switching frequency will increase but only up to the switching frequency programmed by the resistor at the RT pin as shown in Figure 1a. The output load at which the LT8613 reaches the programmed frequency varies based on input voltage, output voltage, and inductor choice.

For some applications it is desirable for the LT8613 to operate in pulse-skipping mode, offering two major differences from Burst Mode operation. First is the clock stays awake at all times and all switching cycles are aligned to the clock. In this mode much of the internal circuitry is awake at all times, increasing quiescent current to several hundred μ A. Second is that full switching frequency is reached at lower output load than in Burst Mode operation (see Figure 1b). To enable pulse-skipping mode, the SYNC pin is tied high either to a logic output or to the INTV_{CC} pin. When a clock is applied to the SYNC pin the LT8613 will also operate in pulse-skipping mode.

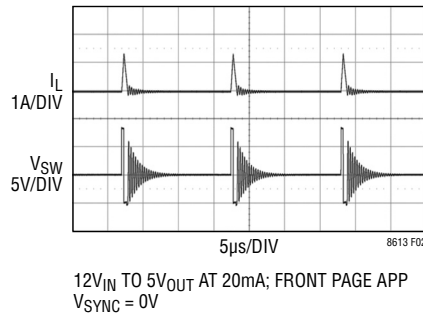


Figure 2. Burst Mode Operation

APPLICATIONS INFORMATION

FB Resistor Network

The output voltage is programmed with a resistor divider between the output and the FB pin. Choose the resistor values according to:

$$R1 = R2 \left(\frac{V_{OUT}}{0.970V} - 1 \right) \quad (1)$$

Reference designators refer to the Block Diagram. 1% resistors are recommended to maintain output voltage accuracy.

If low input quiescent current and good light-load efficiency are desired, use large resistor values for the FB resistor divider. The current flowing in the divider acts as a load current, and will increase the no-load input current to the converter, which is approximately:

$$I_Q = 1.7\mu A + \left(\frac{V_{OUT}}{R1+R2} \right) \left(\frac{V_{OUT}}{V_{IN}} \right) \left(\frac{1}{n} \right) \quad (2)$$

where 1.7μA is the quiescent current of the LT8613 and the second term is the current in the feedback divider reflected to the input of the buck operating at its light load efficiency n. For a 3.3V application with R1 = 1M and R2 = 412k, the feedback divider draws 2.3μA. With V_{IN} = 12V and n = 80%, this adds 0.8μA to the 1.7μA quiescent current resulting in 2.5μA no-load current from the 12V supply. Note that this equation implies that the no-load current is a function of V_{IN}; this is plotted in the Typical Performance Characteristics section.

When using large FB resistors, a 4.7pF to 10pF phase-lead capacitor should be connected from V_{OUT} to FB.

Setting the Switching Frequency

The LT8613 uses a constant frequency PWM architecture that can be programmed to switch from 200kHz to 2.2MHz by using a resistor tied from the RT pin to ground. A table showing the necessary R_T value for a desired switching frequency is in Table 1.

The R_T resistor required for a desired switching frequency can be calculated using:

$$R_T = \frac{46.5}{f_{SW}} - 5.2 \quad (3)$$

where R_T is in kΩ and f_{SW} is the desired switching frequency in MHz.

Table 1. SW Frequency vs R_T Value

f _{SW} (MHz)	R _T (kΩ)
0.2	232
0.3	150
0.4	110
0.5	88.7
0.6	71.5
0.7	60.4
0.8	52.3
1.0	41.2
1.2	33.2
14	28.0
1.6	23.7
1.8	20.5
2.0	18.2
2.2	15.8

Operating Frequency Selection and Trade-Offs

Selection of the operating frequency is a trade-off between efficiency, component size, and input voltage range. The advantage of high frequency operation is that smaller inductor and capacitor values may be used. The disadvantages are lower efficiency and a smaller input voltage range.

The highest switching frequency (f_{SW(MAX)}) for a given application can be calculated as follows:

$$f_{SW(MAX)} = \frac{V_{OUT} + V_{SW(BOT)}}{t_{ON(MIN)} (V_{IN} - V_{SW(TOP)} + V_{SW(BOT)})} \quad (4)$$

where V_{IN} is the typical input voltage, V_{OUT} is the output voltage, V_{SW(TOP)} and V_{SW(BOT)} are the internal switch drops (~0.4V, ~0.18V, respectively at maximum load) and t_{ON(MIN)} is the minimum top switch on-time (see the Electrical Characteristics). This equation shows that a slower switching frequency is necessary to accommodate a high V_{IN}/V_{OUT} ratio.

For transient operation, V_{IN} may go as high as the absolute maximum rating of 42V regardless of the R_T value, however the LT8613 will reduce switching frequency as necessary to maintain control of inductor current to assure safe operation.

APPLICATIONS INFORMATION

The LT8613 is capable of a maximum duty cycle of greater than 99%, and the V_{IN} -to- V_{OUT} dropout is limited by the $R_{DS(ON)}$ of the top switch. In this mode the LT8613 skips switch cycles, resulting in a lower switching frequency than programmed by RT.

For applications that cannot allow deviation from the programmed switching frequency at low V_{IN}/V_{OUT} ratios use the following formula to set switching frequency:

$$V_{IN(MIN)} = \frac{V_{OUT} + V_{SW(BOT)}}{1 - f_{SW} \cdot t_{OFF(MIN)}} - V_{SW(BOT)} + V_{SW(TOP)} \quad (5)$$

where $V_{IN(MIN)}$ is the minimum input voltage without skipped cycles, V_{OUT} is the output voltage, $V_{SW(TOP)}$ and $V_{SW(BOT)}$ are the internal switch drops (~0.4V, ~0.18V, respectively at maximum load), f_{SW} is the switching frequency (set by RT), and $t_{OFF(MIN)}$ is the minimum switch off-time. Note that higher switching frequency will increase the minimum input voltage below which cycles will be dropped to achieve higher duty cycle.

Inductor Selection and Maximum Output Current

The LT8613 is designed to minimize solution size by allowing the inductor to be chosen based on the output load requirements of the application. During overload or short-circuit conditions the LT8613 safely tolerates operation with a saturated inductor through the use of a high speed peak-current mode architecture.

A good first choice for the inductor value is:

$$L = \frac{V_{OUT} + V_{SW(BOT)}}{f_{SW}} \quad (6)$$

where f_{SW} is the switching frequency in MHz, V_{OUT} is the output voltage, $V_{SW(BOT)}$ is the bottom switch drop (~0.18V) and L is the inductor value in μ H.

To avoid overheating and poor efficiency, an inductor must be chosen with an RMS current rating that is greater than the maximum expected output load of the application. In addition, the saturation current (typically labeled I_{SAT}) rating of the inductor must be higher than the load current plus 1/2 of in inductor ripple current:

$$I_{L(PEAK)} = I_{LOAD(MAX)} + \frac{1}{2} \Delta I_L \quad (7)$$

where ΔI_L is the inductor ripple current as calculated in Equation 9 and $I_{LOAD(MAX)}$ is the maximum output load for a given application.

As a quick example, an application requiring 4A output should use an inductor with an RMS rating of greater than 4A and an I_{SAT} of greater than 5A. During long duration overload or short-circuit conditions, the inductor RMS is greater to avoid overheating of the inductor. To keep the efficiency high, the series resistance (DCR) should be less than 0.020Ω , and the core material should be intended for high frequency applications.

The LT8613 limits the peak switch current in order to protect the switches and the system from overload faults. The top switch current limit (I_{LIM}) is at least 7.5A at low duty cycles and decreases linearly to 6A at DC = 0.8. The inductor value must then be sufficient to supply the desired maximum output current ($I_{OUT(MAX)}$), which is a function of the switch current limit (I_{LIM}) and the ripple current.

$$I_{OUT(MAX)} = I_{LIM} - \frac{\Delta I_L}{2} \quad (8)$$

The peak-to-peak ripple current in the inductor can be calculated as follows:

$$\Delta I_L = \frac{V_{OUT}}{L \cdot f_{SW}} \cdot \left(1 - \frac{V_{OUT}}{V_{IN(MAX)}} \right) \quad (9)$$

where f_{SW} is the switching frequency of the LT8613, and L is the value of the inductor. Therefore, the maximum output current that the LT8613 will deliver depends on the switch current limit, the inductor value, and the input and output voltages. The inductor value may have to be increased if the inductor ripple current does not allow sufficient maximum output current ($I_{OUT(MAX)}$) given the switching frequency, and maximum input voltage used in the desired application.

The optimum inductor for a given application may differ from the one indicated by this design guide. A larger value inductor provides a higher maximum load current and reduces the output voltage ripple. For applications requiring smaller load currents, the value of the inductor may be lower and the LT8613 may operate with higher ripple

APPLICATIONS INFORMATION

current. This allows use of a physically smaller inductor, or one with a lower DCR resulting in higher efficiency. Be aware that low inductance may result in discontinuous mode operation, which further reduces maximum load current.

For more information about maximum output current and discontinuous operation, see Analog Devices Application Note 44.

Finally, for duty cycles greater than 50% ($V_{OUT}/V_{IN} > 0.5$), a minimum inductance is required to avoid sub-harmonic oscillation. See Application Note 19.

Input Capacitor

Bypass the input of the LT8613 circuit with a ceramic capacitor of X7R or X5R type placed as close as possible to the V_{IN} and PGND pins. Y5V types have poor performance over temperature and applied voltage, and should not be used. A 10 μ F ceramic capacitor is adequate to bypass the LT8613 and will easily handle the ripple current. Note that larger input capacitance is required when a lower switching frequency is used. If the input power source has high impedance, or there is significant inductance due to long wires or cables, additional bulk capacitance may be necessary. This can be provided with a low performance electrolytic capacitor.

Step-down regulators draw current from the input supply in pulses with very fast rise and fall times. The input capacitor is required to reduce the resulting voltage ripple at the LT8613 and to force this very high frequency switching current into a tight local loop, minimizing EMI. A 10 μ F capacitor is capable of this task, but only if it is placed close to the LT8613 (see the PCB Layout section). A second precaution regarding the ceramic input capacitor concerns the maximum input voltage rating of the

LT8613. A ceramic input capacitor combined with trace or cable inductance forms a high quality (under damped) tank circuit. If the LT8613 circuit is plugged into a live supply, the input voltage can ring to twice its nominal value, possibly exceeding the LT8613's voltage rating. This situation is easily avoided (see Analog Devices Application Note 88).

Output Capacitor and Output Ripple

The output capacitor has two essential functions. Along with the inductor, it filters the square wave generated by the LT8613 to produce the DC output. In this role it determines the output ripple, thus low impedance at the switching frequency is important. The second function is to store energy in order to satisfy transient loads and stabilize the LT8613's control loop. Ceramic capacitors have very low equivalent series resistance (ESR) and provide the best ripple performance. For good starting values, see the Typical Application section.

Use X5R or X7R types. This choice will provide low output ripple and good transient response. Transient performance can be improved with a higher value output capacitor and the addition of a feedforward capacitor placed between V_{OUT} and FB. Increasing the output capacitance will also decrease the output voltage ripple. A lower value of output capacitor can be used to save space and cost but transient performance will suffer and may cause loop instability. See the Typical Applications in this data sheet for suggested capacitor values.

When choosing a capacitor, special attention should be given to the data sheet to calculate the effective capacitance under the relevant operating conditions of voltage bias and temperature. A physically larger capacitor or one with a higher voltage rating may be required.

APPLICATIONS INFORMATION

Enable Pin

The LT8613 is in shutdown when the EN pin is low and active when the pin is high. The rising threshold of the EN comparator is 1.0V, with 40mV of hysteresis. The EN pin can be tied to V_{IN} if the shutdown feature is not used, or tied to a logic level if shutdown control is required.

Adding a resistor divider from V_{IN} to EN programs the LT8613 to regulate the output only when V_{IN} is above a desired voltage (see the Block Diagram). Typically, this threshold, $V_{IN(EN)}$, is used in situations where the input supply is current limited, or has a relatively high source resistance. A switching regulator draws constant power from the source, so source current increases as source voltage drops. This looks like a negative resistance load to the source and can cause the source to current limit or latch low under low source voltage conditions. The $V_{IN(EN)}$ threshold prevents the regulator from operating at source voltages where the problems might occur. This threshold can be adjusted by setting the values R3 and R4 such that they satisfy the following equation:

$$V_{IN(EN)} = \left(\frac{R3}{R4} + 1 \right) \cdot 1.0V \quad (10)$$

where the LT8613 will remain off until V_{IN} is above $V_{IN(EN)}$. Due to the comparator's hysteresis, switching will not stop until the input falls slightly below $V_{IN(EN)}$.

When operating in Burst Mode operation for light load currents, the current through the $V_{IN(EN)}$ resistor network can easily be greater than the supply current consumed by the LT8613. Therefore, the $V_{IN(EN)}$ resistors should be large to minimize their effect on efficiency at low loads.

Current Control Loop

In addition to regulating the output voltage the LT8613 includes a current regulation loop for setting the average input or output current limit as shown in the Typical Applications section.

The LT8613 measures voltage drop across an external current sense resistor using the ISP and ISN pins. This resistor may be connected between the inductor and the

output capacitor to sense the output current or may be placed between the V_{IN} bypass capacitor and the input power source to sense input current. The current loop modulates the internal cycle-by-cycle switch current limit such that the average voltage across ISP-ISN pins does not exceed 50mV.

Care must be taken and filters should be used to assure the signal applied to the ISN and ISP pins has a peak-to-peak ripple of less than 30mV for accurate operation. In addition to high crest factor current waveforms such as the input current of DC/DC regulators, another cause of high ripple voltage across the sense resistor is excessive resistor ESL. Typically the problem is solved by using a small ceramic capacitor across the sense resistor or using a filter network between the ISP and ISN pins.

The ICTRL pin allows the ISP-ISN set point to be linearly controlled from 50mV to 0mV as the ICTRL pin is ramped from 1V down to 0V, respectively and as shown in Figure 3. When this functionality is unused the ICTRL pin may be tied to $INTV_{CC}$ or floated. In addition the ICTRL pin includes a 2μA pull-up source such that a capacitor may be added for soft-start functionality.

The IMON pin is a voltage output proportional to the voltage across the current sense resistor such that $V_{IMON} = 20 \cdot (ISP-ISN)$ as shown in Figure 4. This output can be used to monitor the input or output current of the LT8613 or may be an input to an ADC for further processing.

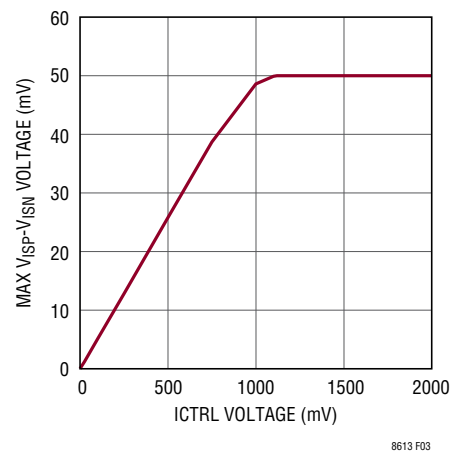


Figure 3. LT8613 Sense Voltage vs ICTRL Voltage

8613 F03

APPLICATIONS INFORMATION

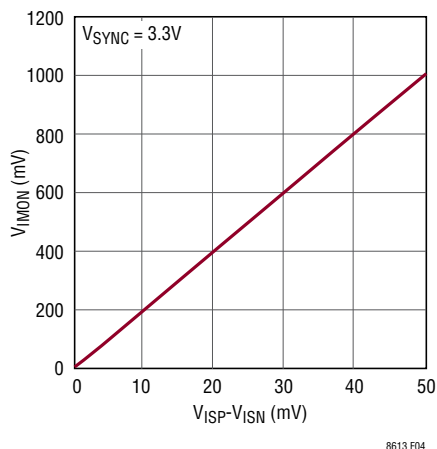


Figure 4. LT8613 Sense Voltage vs IMON Voltage

INTV_{CC} Regulator

An internal low dropout (LDO) regulator produces the 3.4V supply from V_{IN} that powers the drivers and the internal bias circuitry. The INTV_{CC} can supply enough current for the LT8613's circuitry and must be bypassed to ground with a minimum of 1 μ F ceramic capacitor. Good bypassing is necessary to supply the high transient currents required by the power MOSFET gate drivers. To improve efficiency the internal LDO can also draw current from the BIAS pin when the BIAS pin is at 3.1V or higher. Typically the BIAS pin can be tied to the output of the LT8613, or can be tied to an external supply of 3.3V or above. If BIAS is connected to a supply other than V_{OUT} , be sure to bypass with a local ceramic capacitor. If the BIAS pin is below 3.0V, the internal LDO will consume current from V_{IN} . Applications with high input voltage and high switching frequency where the internal LDO pulls current from V_{IN} will increase die temperature because of the higher power dissipation across the LDO. Do not connect an external load to the INTV_{CC} pin.

Output Voltage Tracking and Soft-Start

The LT8613 allows the user to program its output voltage ramp rate by means of the TR/SS pin. An internal 2.2 μ A pulls up the TR/SS pin to INTV_{CC}. Putting an external

capacitor on TR/SS enables soft starting the output to prevent current surge on the input supply. During the soft-start ramp the output voltage will proportionally track the TR/SS pin voltage. For output tracking applications, TR/SS can be externally driven by another voltage source. From 0V to 0.97V, the TR/SS voltage will override the internal 0.97V reference input to the error amplifier, thus regulating the FB pin voltage to that of TR/SS pin. When TR/SS is above 0.97V, tracking is disabled and the feedback voltage will regulate to the internal reference voltage. The TR/SS pin may be left floating if the function is not needed.

An active pull-down circuit is connected to the TR/SS pin which will discharge the external soft-start capacitor in the case of fault conditions and restart the ramp when the faults are cleared. Fault conditions that clear the soft-start capacitor are the EN/UV pin transitioning low, V_{IN} voltage falling too low, or thermal shutdown.

Output Power Good

When the LT8613's output voltage is within the $\pm 9\%$ window of the regulation point, which is a V_{FB} voltage in the range of 0.883V to 1.057V (typical), the output voltage is considered good and the open-drain PG pin goes high impedance and is typically pulled high with an external resistor. Otherwise, the internal pull-down device will pull the PG pin low. To prevent glitching both the upper and lower thresholds include 1.3% of hysteresis.

The PG pin is also actively pulled low during several fault conditions: EN/UV pin is below 1V, INTV_{CC} has fallen too low, V_{IN} is too low, or thermal shutdown.

Synchronization

To select low ripple Burst Mode operation, tie the SYNC pin below 0.4V (this can be ground or a logic low output). To synchronize the LT8613 oscillator to an external frequency connect a square wave (with 20% to 80% duty cycle) to the SYNC pin. The square wave amplitude should have valleys that are below 0.4V and peaks above 2.4V (up to 6V).

APPLICATIONS INFORMATION

The LT8613 will not enter Burst Mode operation at low output loads while synchronized to an external clock, but instead will pulse skip to maintain regulation. The LT8613 may be synchronized over a 200kHz to 2.2MHz range. The R_T resistor should be chosen to set the LT8613 switching frequency equal to or below the lowest synchronization input. For example, if the synchronization signal will be 500kHz and higher, the R_T should be selected for 500kHz. The slope compensation is set by the R_T value, while the minimum slope compensation required to avoid subharmonic oscillations is established by the inductor size, input voltage, and output voltage. Since the synchronization frequency will not change the slopes of the inductor current waveform, if the inductor is large enough to avoid subharmonic oscillations at the frequency set by R_T , then the slope compensation will be sufficient for all synchronization frequencies.

For some applications it is desirable for the LT8613 to operate in pulse-skipping mode, offering two major differences from Burst Mode operation. First is the clock stays awake at all times and all switching cycles are aligned to the clock. Second is that full switching frequency is reached at lower output load than in Burst Mode operation. These two differences come at the expense of increased quiescent current. To enable pulse-skipping mode, the SYNC pin is tied high either to a logic output or to the INTVCC pin.

The LT8613 does not operate in forced continuous mode regardless of SYNC signal. Never leave the SYNC pin floating.

Shorted and Reversed Input Protection

The LT8613 will tolerate a shorted output. Several features are used for protection during output short-circuit and brownout conditions. The first is the switching frequency will be folded back while the output is lower than the set point to maintain inductor current control. Second, the bottom switch current is monitored such that if inductor current is beyond safe levels switching of the top switch will be delayed until such time as the inductor current falls to safe levels.

Frequency foldback behavior depends on the state of the SYNC pin: If the SYNC pin is low the switching frequency will slow while the output voltage is lower than the programmed level. If the SYNC pin is connected to a clock source or tied high, the LT8613 will stay at the programmed frequency without foldback and only slow switching if the inductor current exceeds safe levels.

There is another situation to consider in systems where the output will be held high when the input to the LT8613 is absent. This may occur in battery charging applications or in battery-backup systems where a battery or some other supply is diode ORed with the LT8613's output. If the V_{IN} pin is allowed to float and the EN pin is held high (either by a logic signal or because it is tied to V_{IN}), then the LT8613's internal circuitry will pull its quiescent current through its SW pin. This is acceptable if the system can tolerate several μA in this state. If the EN pin is grounded the SW pin current will drop to near $1\mu\text{A}$. However, if the V_{IN} pin is grounded while the output is held high, regardless of EN, parasitic body diodes inside the LT8613 can pull current from the output through the SW pin and the V_{IN} pin. Figure 5 shows a connection of the V_{IN} and EN/UV pins that will allow the LT8613 to run only when the input voltage is present and that protects against a shorted or reversed input.

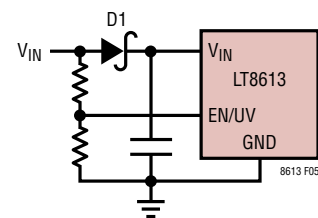


Figure 5. Reverse V_{IN} Protection

APPLICATIONS INFORMATION

PCB Layout

For proper operation and minimum EMI, care must be taken during printed circuit board layout. Figure 6 shows the recommended component placement with trace, ground plane and via locations. Note that large, switched currents flow in the LT8613's V_{IN} pins, PGND pins, and the input capacitor (C1). The loop formed by the input capacitor should be as small as possible by placing the capacitor adjacent to the V_{IN} and PGND pins. When using a physically large input capacitor the resulting loop may become too large in which case using a small case/value capacitor placed close to the V_{IN} and PGND pins plus a larger capacitor further away is preferred. These components, along with the inductor and output capacitor, should be placed on the same side of the circuit board, and their connections should be made on that layer. Place a local, unbroken ground plane under the application circuit on the layer closest to the surface layer. The SW and BOOST nodes should be as small as possible. Finally, keep the FB and RT nodes small so that the ground traces will shield them from the SW and BOOST nodes. The exposed pad on the bottom of the package must be soldered to ground so that the pad is connected to ground electrically and also acts as a heat sink thermally. To keep thermal resistance low, extend the ground plane as much as possible, and add thermal vias under and near the LT8613 to additional ground planes within the circuit board and on the bottom side.

High Temperature Considerations

For higher ambient temperatures, care should be taken in the layout of the PCB to ensure good heat sinking of the LT8613. The exposed pad on the bottom of the package must be soldered to a ground plane. This ground should be tied to large copper layers below with thermal vias; these layers will spread heat dissipated by the LT8613. Placing additional vias can reduce thermal resistance further. The maximum load current should be derated as the ambient

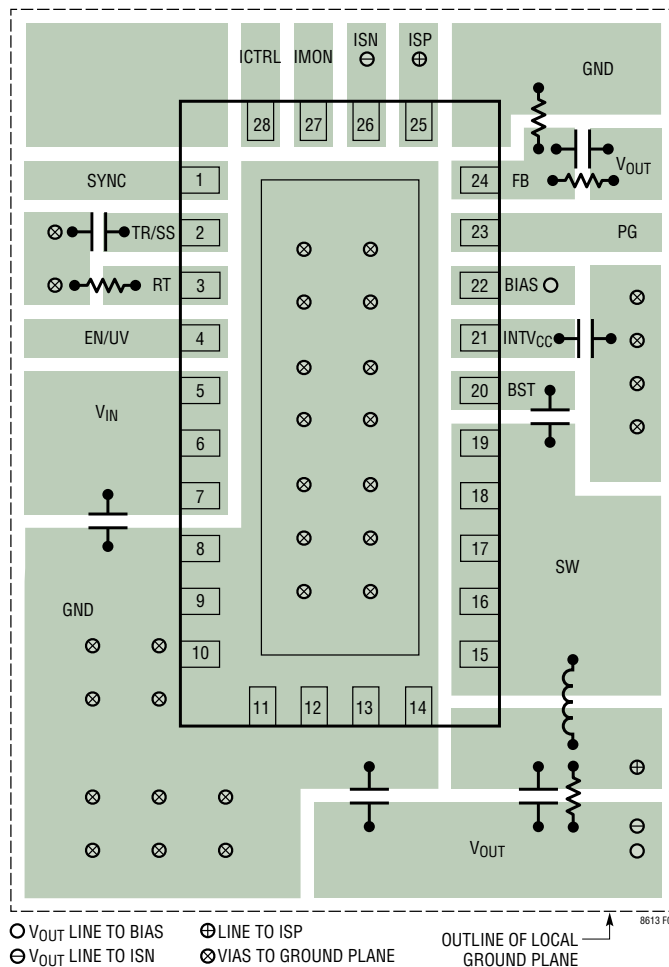
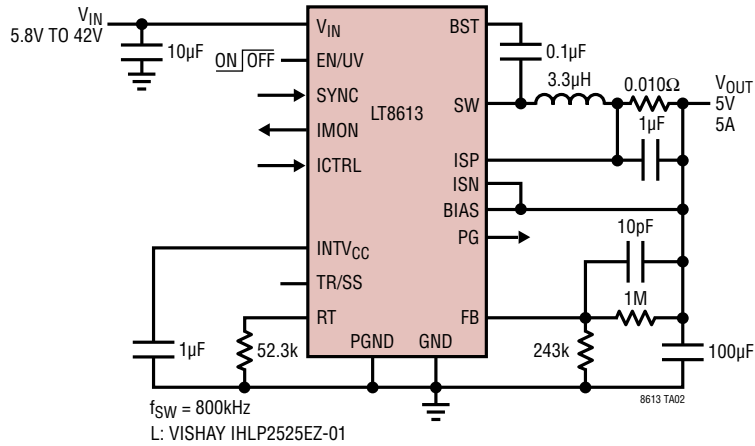


Figure 6. Recommended PCB Layout for the LT8613

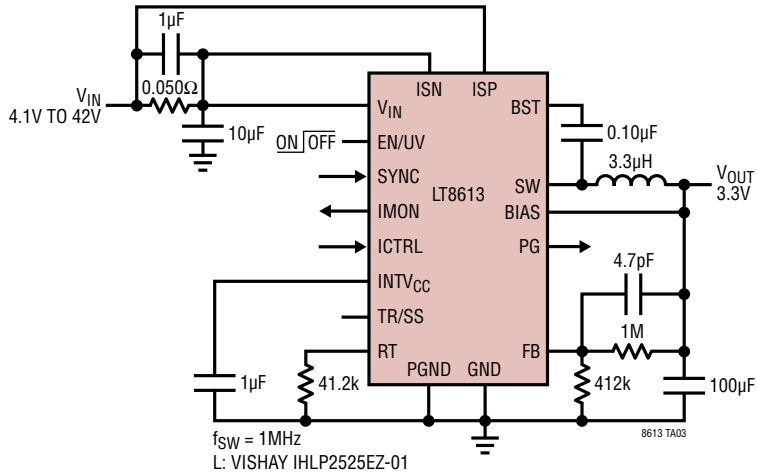
temperature approaches the maximum junction rating. Power dissipation within the LT8613 can be estimated by calculating the total power loss from an efficiency measurement and subtracting the inductor loss. The die temperature is calculated by multiplying the LT8613 power dissipation by the thermal resistance from junction to ambient. The LT8613 will stop switching and indicate a fault condition if safe junction temperature is exceeded.

TYPICAL APPLICATIONS

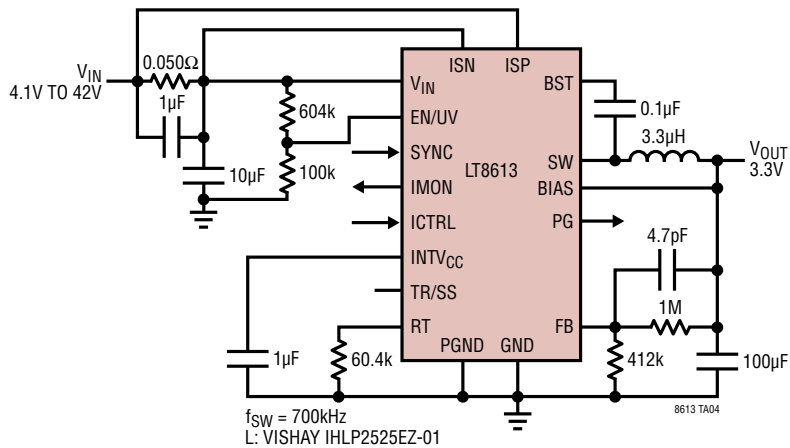
5V Step-Down with 5A Output Current Limit



3.3V Step-Down with 1A Input Current Limit

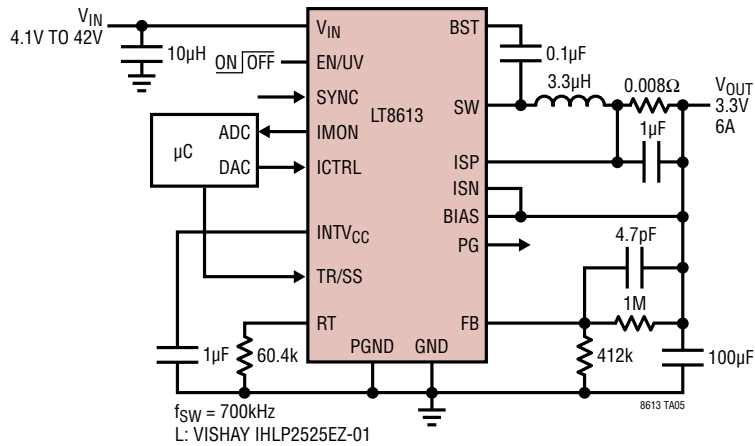


3.3V Step-Down with 1A Input Current Limit and 7V VIN Undervoltage Lockout

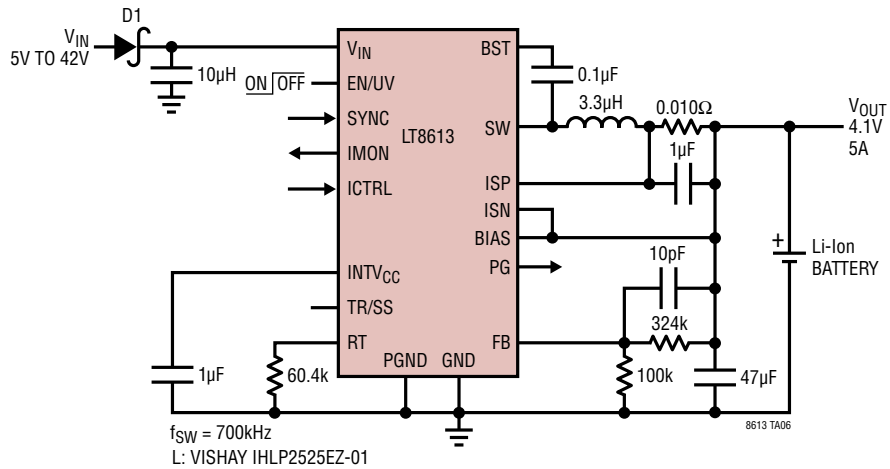


TYPICAL APPLICATIONS

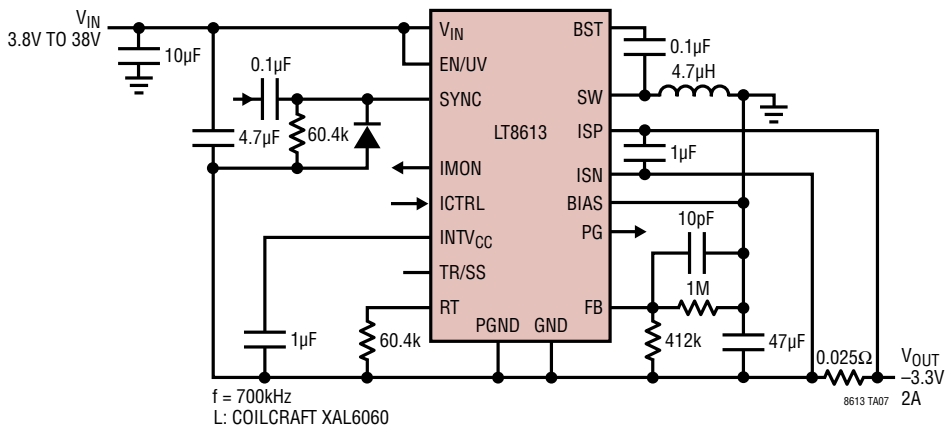
Digitally Controlled Current/Voltage Source



CCCV Battery Charger

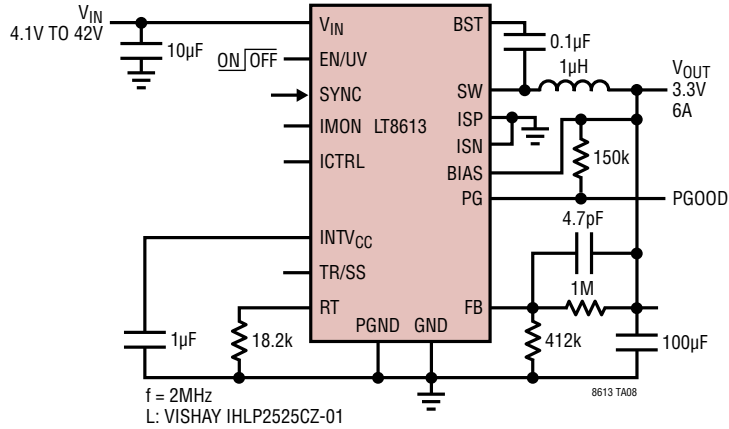


-3.3V Negative Converter with 2A Output Current Limit

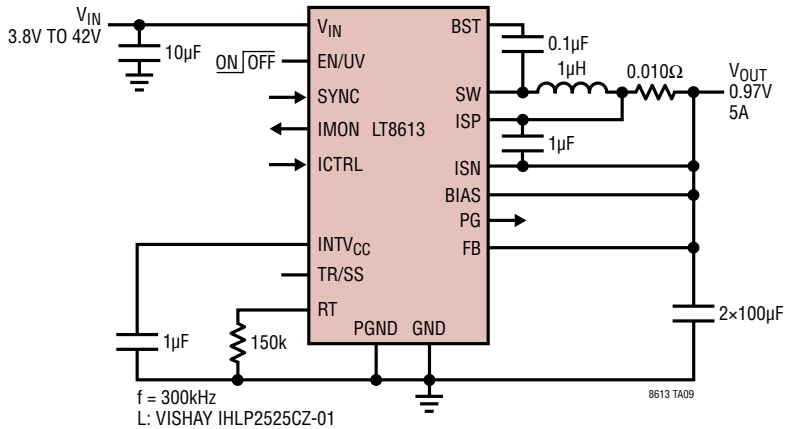


TYPICAL APPLICATIONS

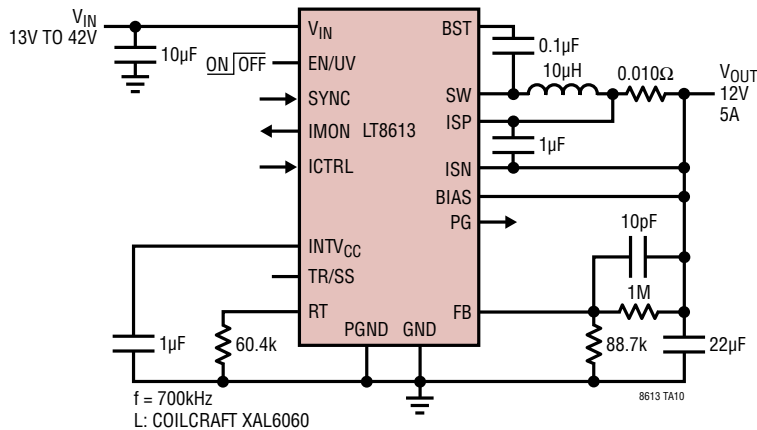
2MHz, 3.3V Step-Down with Power Good without Current Sense



1V Step-Down with 5A Output Current Limit

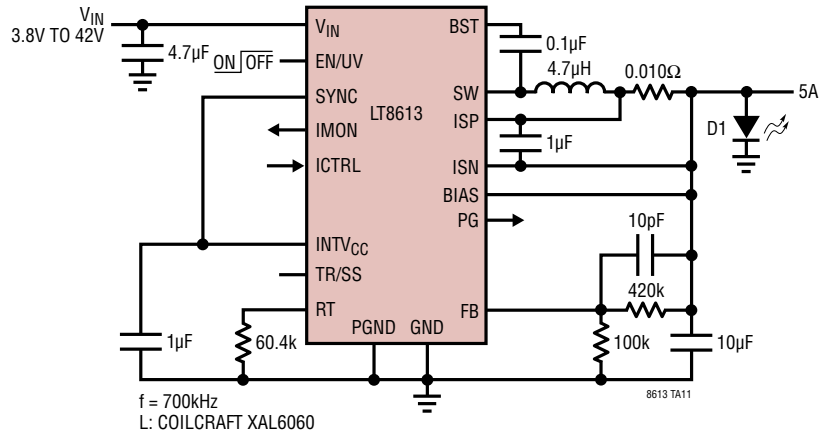


12V Step-Down with 5A Output Current Limit



TYPICAL APPLICATIONS

5A LED Driver

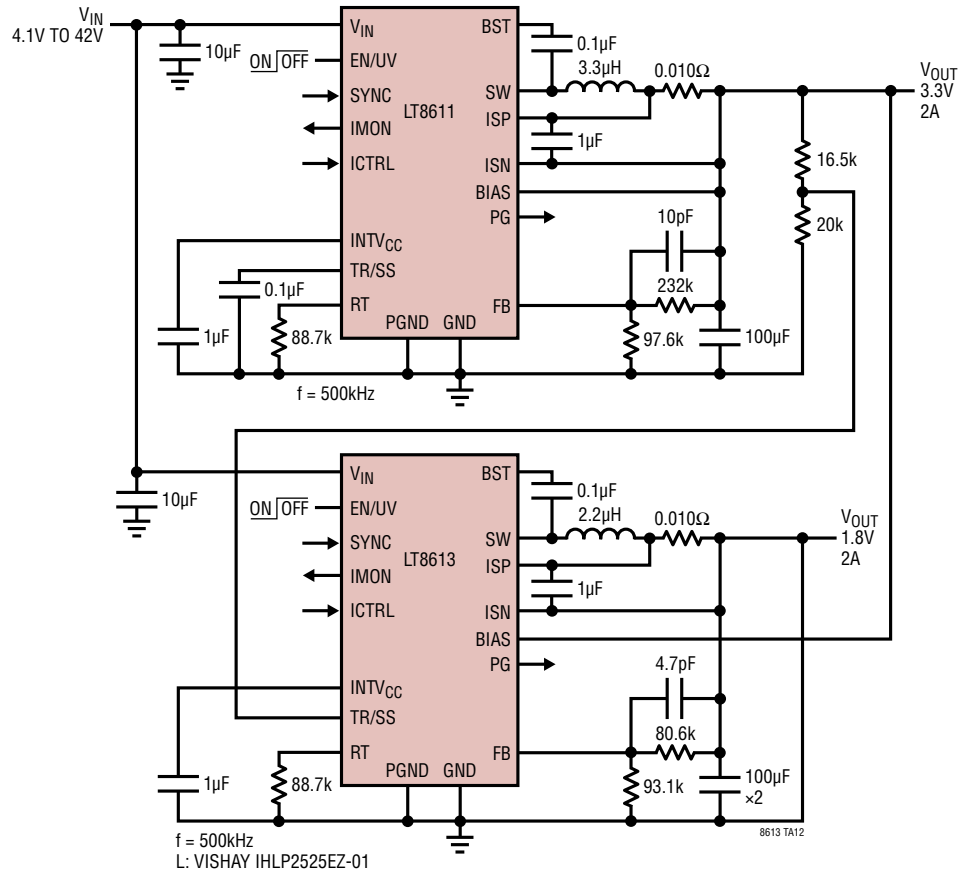


REVISION HISTORY

REV	DATE	DESCRIPTION	PAGE NUMBER
A	5/20	Updated note under Order Information	2
		Replaced Linear Technology to Analog Devices	15
		Updated links for Related Parts	24

TYPICAL APPLICATION

Coincident Tracking Step-Downs Each with 5A Output Current Limit



RELATED PARTS

PART NUMBER	DESCRIPTION	COMMENTS
LT8610A/ LT8610AB	42V, 3.5A, 96% Efficiency, 2.2MHz Synchronous MicroPower Step-Down DC/DC Converter with $I_Q = 2.5\mu A$	$V_{IN} = 3.4V$ to 42V, $V_{OUT(MIN)} = 0.97V$, $I_Q = 2.5\mu A$, $I_{SD} < 1\mu A$, MSOP-16E Package
LT8610AC	42V, 3.5A, 96% Efficiency, 2.2MHz Synchronous MicroPower Step-Down DC/DC Converter with $I_Q = 2.5\mu A$	$V_{IN} = 3V$ to 42V, $V_{OUT(MIN)} = 0.8V$, $I_Q = 2.5\mu A$, $I_{SD} < 1\mu A$, MSOP-16E Package
LT8610	42V, 2.5A, 96% Efficiency, 2.2MHz Synchronous MicroPower Step-Down DC/DC Converter with $I_Q = 2.5\mu A$	$V_{IN} = 3.4V$ to 42V, $V_{OUT(MIN)} = 0.97V$, $I_Q = 2.5\mu A$, $I_{SD} < 1\mu A$, MSOP-16E Package
LT8611	42V, 2.5A, 96% Efficiency, 2.2MHz Synchronous MicroPower Step-Down DC/DC Converter with $I_Q = 2.5\mu A$ and Input/Output Current Limit/Monitor	$V_{IN} = 3.4V$ to 42V, $V_{OUT(MIN)} = 0.97V$, $I_Q = 2.5\mu A$, $I_{SD} < 1\mu A$, 3mm × 5mm QFN-24 Package
LT8620	65V, 2.5A, 96% Efficiency, 2.2MHz Synchronous MicroPower Step-Down DC/DC Converter with $I_Q = 2.5\mu A$	$V_{IN} = 3.4V$ to 65V, $V_{OUT(MIN)} = 0.97V$, $I_Q = 2.5\mu A$, $I_{SD} < 1\mu A$, MSOP-16E, 3mm × 5mm QFN-24 Packages
LT8614	42V, 4A, 96% Efficiency, 2.2MHz Synchronous MicroPower Step-Down DC/DC Converter with $I_Q = 2.5\mu A$	$V_{IN} = 3.4V$ to 42V, $V_{OUT(MIN)} = 0.97V$, $I_Q = 2.5\mu A$, $I_{SD} < 1\mu A$, 3mm × 4mm QFN-18 Package
LT8612	42V, 6A, 96% Efficiency, 2.2MHz Synchronous MicroPower Step-Down DC/DC Converter with $I_Q = 2.5\mu A$	$V_{IN} = 3.4V$ to 42V, $V_{OUT(MIN)} = 0.97V$, $I_Q = 3.0\mu A$, $I_{SD} < 1\mu A$, 3mm × 6mm QFN-28 Package